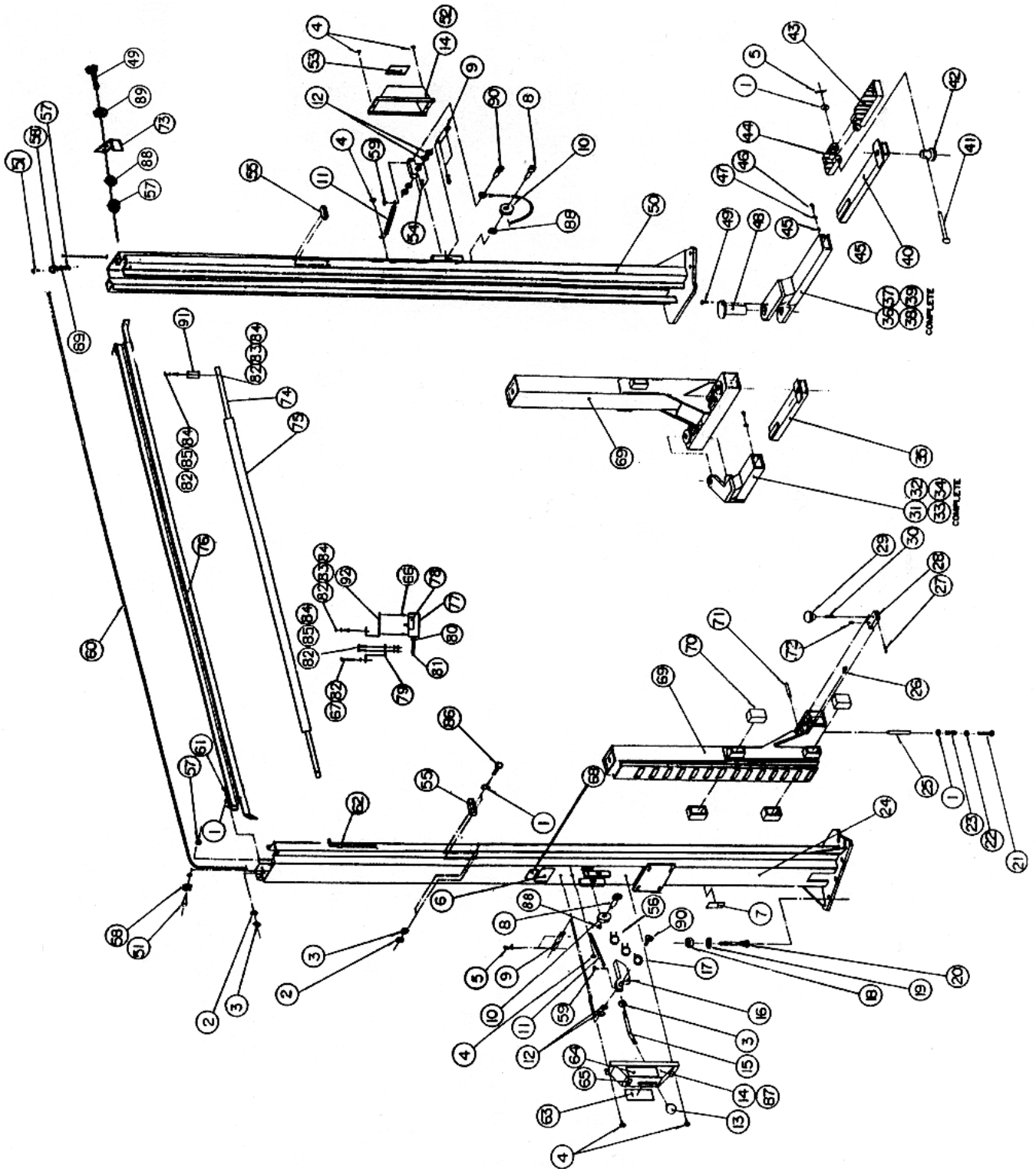


# 8 PARTS MANUAL

## 8.1 LIFT ASSEMBLY



## 8.2 LIFT ASSEMBLY PARTS LIST

ITEM	QTY.	DESCRIPTION	PART #
1	20	FLAT WASHER, 1/2"ID SAE	6-0248
2	12	LOCKWASHER, 1/2"ID	6-0059
3	13	HEX NUT, 1/2"-13UNC	6-0035
4	6	SELF TAPPING SCREW, #12 x 1/2"LG.	6-1134
5	8	COTTER PIN, 1/8"DIA. x 1"LG.	6-0267
6	1	ALI/ETL DECAL	6-0996
7	1	"HYDRAULIC LEVELING" DECAL	6-1151
8	2	SHOULDER BOLT, 3/8"DIA. x 1"LG.	6-0206
9	2	SAFETY PIN	1-0938
10	2	SAFETY PULLEY	1-0415
11	2	SAFETY SPRING	1-1115
12	8	FLAT WASHER, 51/64"ID x 1"OD x 1/16"THK.	6-0808
13	1	PLASTIC KNOB	6-1135
14	2	SAFETY COVER	3-0439
15	1	SAFETY RELEASE HANDLE	1-1113
16	1	SAFETY DOG, LEFT SIDE	2-1901
17	1	5/32" THIMBLE	6-2074
18	14	HEX NUT, 3/4"-10UNC	6-0737
19	14	FLAT WASHER, 3/4"ID	6-0738
20	14	WEDGE ANCHOR, 3/4"-10UNC x 5 1/2"LG.	6-1379
21	4	HEX BOLT, 1/4"-20UNC x 3/4"LG.	6-0178
22	4	1/4"ID FENDER WASHER	6-0626
23	4	PLUNGER SPRING	1-0939
24	1	TOWER WELDMENT, LEFT SIDE	4-0381
25	4	PIVOT PLUNGER	1-0745
26	4	GREASE FITTING	6-0000
27	4	ROLL PIN, 1/8"DIA. x 1"LG.	6-0437
28	4	RACK	2-0249
29	4	KNOB	1-0208
30	4	THREADED ROD, 3/8"-16UNC x 1 1/2"LG.	1-1135
31	1	OUTER ARM TUBE WELDMENT, RIGHT SIDE	3-0561
32	1	OUTER ARM TUBE WELDMENT, LEFT SIDE	3-0562
33	1	LOCKING ARM ASSEMBLY, RIGHT SIDE	4-0464
34	1	LOCKING ARM ASSEMBLY, LEFT SIDE	4-0463
35	2	SHORT INNER ARM WELDMENT	2-1088
36	1	OUTER ARM TUBE WELDMENT, RIGHT SIDE	3-0560
37	1	OUTER ARM TUBE WELDMENT, LEFT SIDE	3-0559
38	1	LOCKING ARM ASSEMBLY, RIGHT SIDE	4-0462
39	1	LOCKING ARM ASSEMBLY, LEFT SIDE	4-0461
40	2	INNER ARM WELDMENT	2-1086
41	4	CENTER PIN	1-1099
42	4	ADAPTER PIN	1-1091
43	4	HIGH STEP POSITION ADAPTER	3-0582
44	4	LOW POSITION ADAPTER	3-0583
45	4	FLATWASHER, 3/8"I.D.	6-0062
46	4	HEX BOLT, 3/8"-16UNC x 3/4"LG.	6-0030
47	4	LOCKWASHER, 3/8"I.D.	6-0058
48	4	ARM PIN	2-0439

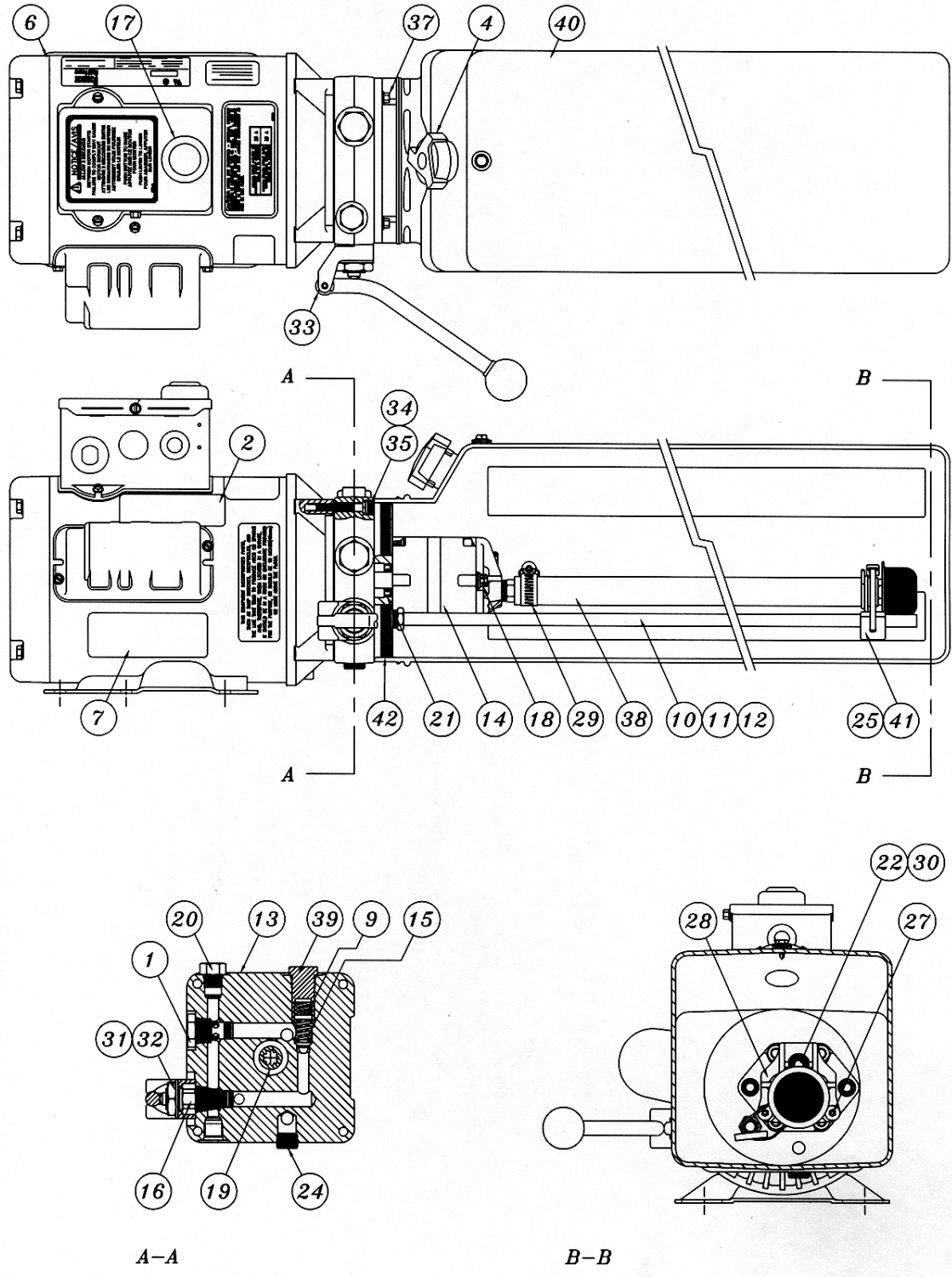
ITEM	QTY.	DESCRIPTION	PART #
49	6	HEX BOLT, 5/16"-18UNC x 3/4"LG.	6-0423
50	1	TOWER WELDMENT, RIGHT SIDE	4-0382
51	2	SHOULDER BOLT, 3/8"DIA. x 5/8"LG.	6-0069
52	1	SAFETY COVER w/DECALS, RIGHT SIDE	0-0203
53	1	"SAFETY INSTRUCTIONS" DECAL	6-0594
54	1	SAFETY DOG, RIGHT SIDE	2-0872
55	4	CARRIAGE STOP	1-1119
56	2	WIRE ROPE CLIPS	6-2060
57	4	HEX NUT, 5/16"-18UNC	6-0294
58	3	SAFETY CABLE PULLEY	1-1116
59	2	SELF TAPPING SCREW, #10 X 3/8" LG.	6-0169
60	1	SAFETY RELEASE CABLE	1-2058
61	4	HEX BOLT, 1/2"-13UNC x 1 1/2"LG.	6-0291
62	3	5/8" ELECTRICAL CLIP	6-1759
63	1	"WARNING" DECAL	6-0595
64	1	"CAUTION" DECAL	6-0592
65	1	"SAFETY RELEASE" DECAL	6-0603
66	2	6/32 SCREW (ELECTRICAL BOX)	6-1466
67	1	HEX HD. BOLT 1/4"NC x 2"LG.	6-0177
68	1	SERIAL # TAG	6-1120
69	2	CARRIAGE WELDMENT	4-0635
70	8	GLIDE BEARING	2-0772
71	4	PIVOT PIN	1-0333
72	4	SET SCREW., 1/4"-20UNC X 1/2"LG.	6-0438
73	2	ANGLE BRACKET	2-1477
74	1	ACTUATOR BAR	1-1380
75	1	FOAM GUARD	6-1404
76	1	CROSSMEMBER WELDMENT	3-0440
77	1	ELECTRICAL UTILITY BOX	6-1403
78	1	MICROSWITCH	6-0916
79	1	ACTUATOR EXTENSION	1-1379
80	1	CABLE CONNECTOR	6-1133
81	1	ELEC. CABLE 12/3 x 117"LG. SOW	6-1173
82	5	HEX HD. NUT 1/4"NC	6-0032
83	3	HEX HD. BOLT 1/4"NC x 3/4"LG.	6-0178
84	6	LOCKWASHER 1/4" DIA	6-0056
85	3	HEX BOLT 1/4" NC x 1 1/4" LG.	6-0027
86	8	HEX BOLT, 1/2"-13UNC x 2 1/4"LG.	6-0315
87	1	SAFETY COVER w/DECALS, LEFT SIDE	0-0204
88	4	FLAT WASHER, 5/16" I.D.	6-0295
89	4	LOCKWASHER, 5/16" I.D.	6-0296
90	2	SHOULDER BOLT, 3/8"DIA. x 1 1/2"LG.	6-0801
91	1	ACTUATOR MTG. BRACKET	1-1378
92	1	LIMIT SWITCH MTG. BRACKET	2-1143



## 8.4 HYDRAULIC SYSTEM PARTS LIST

ITEM	QTY.	DESCRIPTION	PART #
1	2	ELBOW BULKHEAD 90°, 3/8"JIC-3/8"JIC	6-0012
2	1	CAP, 3/8"JIC	6-0021
3	3	UNION, 3/8"JIC MALE	6-0286
4	2	TEE, 3/8" SWIVEL NUT JIC MALE	6-0284
5	2	LOCKWASHER, 1/4" I.D.	6-0056
6	1	HYDRAULIC CYLINDER ASS'Y, RS	3-0735
7	1	POWER PACK (8K)	6-1956
	1	POWER PACK (9K)	6-1957
	1	POWER PACK (11K)	6-1935
8	4	FLAT WASHER, 5/16"ID	6-0295
9	2	SHOULDER BOLT, 1/2" x 5/8"LG.	6-0425
10	4	HEX BOLT, 5/16"-18UNC x 1"LG.	6-0293
11	7	TUBE CLAMP	6-0170
12	7	ROUND HD. BOLT, 1/4"-20UNC x 3/8"LG.	6-1353
13	2	CIRCLIP	6-0340
14	1	HYDRAULIC CYLINDER ASS'Y, LS	4-0289
15	2	ADAPTER, 1/4"NPT MALE - 3/8"JIC MALE	6-0276
16	1	HYDRAULIC TUBE ASS'Y, LS	2-0887
17	1	HYDRAULIC TUBE ASS'Y (VALVE BLOCK TO POWERPACK)	2-1140
18	2	ELBOW 90°, 9/16"SAE M-3/8"JIC M	6-0804
19	1	HYDRAULIC VALVE BLOCK	6-1362
20	1	HYDRAULIC VALVE BLOCK ASS'Y (C/W FITTINGS)	6-2623
21	4	LOCKWASHER, 5/16"ID	6-0674
22	1	ADAPTER, 3/8"NPT - 3/8"JIC x 2 1/4"LG.	6-0345
23	2	HEX HD. BOLT, 1/4"-20UNC x 1 3/4"LG.	6-0028
24	4	HEX NUT, 5/16"-18UNC	6-0294
25	1	HYDRAULIC TUBE ASS'Y	1-2436
26	1	"LIFT OPERATION" DECAL	6-2094
27	1	HYDRAULIC TUBE ASS'Y	2-0886
28	1	VELOCITY FUSE, 4GPM	6-0422
29	1	HYDRAULIC TUBE ASS'Y (2-PIECE TOWER)	2-0878
30	1	HYDRAULIC TUBE ASS'Y, RS (2-PIECE TOWER)	2-1876
31	1	HYDRAULIC TUBE ASS'Y, LS (2-PIECE TOWER)	2-1877
32	1	HYDRAULIC TUBE ASS'Y, RS (12' & 14' TOWER)	2-1874
33	1	HYDRAULIC TUBE ASS'Y, (12' TOWER)	2-1873
	1	HYDRAULIC TUBE ASS'Y, (14' TOWER)	2-1875
34	1	HYDRAULIC TUBE ASS'Y, LS	2-1872
35	1	HYDRAULIC TUBE ASS'Y (8/9K)	2-1537
	1	HYDRAULIC TUBE ASS'Y (11K ASS'Y)	2-0959
	1	HYDRAULIC TUBE ASS'Y (11K SYM)	2-1286
		GLAND SEAL KIT, RIGHT SIDE (8/9/11K)	0-0551
		PISTON SEAL KIT, RIGHT SIDE (8/9/11K)	0-0159
		GLAND SEAL KIT, LEFT SIDE (8/9/11K)	0-0206
		PISTON SEAL KIT, LEFT SIDE (8/9/11K)	0-0160

8.5 POWER PACK: #6-2055 (AB-1381) 208-230V/1PH/60Hz



## 8.6 POWER PACK PARTS LIST: #6-2055 (AB-1381) 208-230V/1PH/60Hz

ITEM	QTY.	DESCRIPTION	PART #
1	1	VALVE CARTRIDGE CHECK	6-1087
2	1	LABEL INSTALLATION AUTOHOIST	6-2136
4	1	BREATHER CAP & BLADDER	6-1376
6	1	MOTOR AC 208-230V. 2HP/1PH/60Hz, BLK	6-2474
7	1	LABEL WARNING AUTOHOIST	6-2149
9	1	SPRING 0.480" x 0.063" x 0.42" COMP	6-2151
10	1	RETURN HOSE 3/8" OD x 21.5"	6-2152
11	1	COMPRESSION TUBE NUT	6-2153
12	1	COMPRESSION TUBE SLEEVE	6-2154
13	1	ENDHEAD UNIVERSAL AUTOHOIST	6-2155
14	1	PUMPASSY 2.5 CC/REV. SHORT SPLINE	6-1958
15	1	RELIEF ASSEMBLY FIXED 190 BAR	6-1319
16	1	VALVE CARTRIDGE RELEASE MANUAL	6-0880
17	1	WIRING ASSEMBLY AC 1PH FENNER	6-2473
18	2	BOLT 5/16"-24 x 3.00" TORX G8	6-1090
19	1	COUPLING SAE 9T-20/40 1.260"	6-0774
20	1	PLUMBING PLUG 9/16" SAE	6-2157
21	1	SEAL SHAFT 0.500" x 1.00" x 0.25"	6-2158
22	1	WASHER 0.338" x 0.625" x 0.060" STEEL	6-2159
24	1	PLUMBING PLUG 3/8" NPT	6-2161
25	1	PLUMBING MAGNET	6-2162
27	2	SCREW TAPTITE M6 x 1.0 12MM TORX	6-2164
28	1	COVER ASSY SUCTION	6-2165
29	1	PLUMBING CLAMP HOSE ADJ. INLET	6-2166
30	1	BOLT 5/16"-18 x 1.00" SHCS	6-1392
31	1	NUT 3/4"-16 x 1" HEX x 0.250" STEEL	6-2167
32	1	WASHER 3/4" INT. TOOTH LOCK	6-2168
33	1	BRACKET - HANDLE ASSY REL BLACK	6-0776
34	4	BOLT M6 x 1.0 35MM SOC HD	6-2169
35	4	WASHER 1/4" LOCK HI-COLLAR	6-2170
37	4	BOLT #12-24 x 0.50" HEX WSHRHD	6-1091
38	1	PLUMBING ASSY INLET 17.24 (3)	6-0786
39	1	RELIEF VALVE CAP ASSEMBLY	6-1089
40	1	TANK PLASTIC 6.7 OS 22.50" BLK	6-1399
41	1	CABLE TIE 8" LONG WHITE	6-1846
42	1	O-RING 2-348 BUNA	6-0875